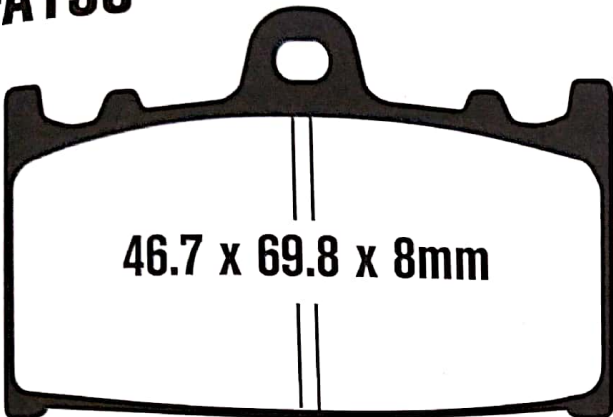


FA158



46.7 x 69.8 x 8mm

KAWASAKI ROAD BIKE

- ZX 600 D1-D4 (ZX6) 90-93 F
- ZX 600 E1-E13 (Ninja ZX6) 93-05 F
- ZX6 R (ZX 600 F1/F2/F3) 94-97 F
- ZXR 750 HI/H2/J1/J2/L1/L2/L3 'Ninja' ZX-7 89-95 F
- ZX 750 K1/K2/M1/M2 Ninja ZX- 7R 91-95 F
- ZX-9R B1/B2 Ninja 94-95 F
- ZX 1100 C1-C4/D1-D9 (ZX11) 90-01 F
- ZR 1100 A1/A2/A3/A4 Zephyr 92-95 F
- ZZR 1200 (ZX 1200 C1/C2/C3) 02-04 F
- VN 1700 Vulcan Voyager 09 F
- VN 1700 A9FA/AAF/ABF/ACF/ADF Vulcan 1700 Voyager 09-13 F
- VN 1700 B9FA/BAF/BBF/BCF/BDF/BEF Vulcan 1700 Voyager ABS 09-14 F
- VN 1700 Voyager Vaquero JBF/JBFA/JCF/JCFA/JDF 11-13 F
- VN 1700 KEF/KEFA Voyager Vaquero ABS 14 F
- VN 2000 A1/A2/A6F/A7F/G8F/G9F Vulcan 04-09 F

- VN 2000 D1/D6F Vulcan Ltd 05-06 F
- VN 2000 E6F/E7F/H8F/H9F Vulcan Classic 06-09 F
- VN 2000 F6F/F7F/J8F/J9F/JAF Vulcan Classic LT 06-10 F

KAWASAKI DIRT BIKE

NEW Versys 1000 (1043cc) 15 F

SUZUKI ROAD

- GSXR 600 V/W/X/Y/K1/K2/K3/ZK3 97-03 F
- GSX 650 FK8/FK9 08-10 F
- GSXR 750 Y/K1/K2/K3 00-03 F
- SV 1000 K3/SK3/K4/SK4/K5/SK5/SK6/SK7 03-07 F
- TL 1000 SV/SW/SX/SY/SK1 97-01 F
- GSF 1250 SAK7/SAK8/SAK9 (ABS) 07-11 F
- GSF 1250 SK7/SK8/SK9 Bandit 07-11 F
- GSX 1250 FAL1/FAL2 11-12 F
- GSX 1250 SAL6 16 F

HUSABERG

All supermotard models 00-03 F

VERTEMATI

- S 450/501/570 E (Super Motard) 03-04 F
- SR 450/SR 600 Motard Racing 03-04 F

AP/LOCKHEED AFTERMARKET CALIPERS

4 Piston (Old Design)

MOTOMASTER AFTERMARKET CALIPERS

4 Piston

PRE TECH AFTERMARKET CALIPERS

4 Piston (P402) Lockheed Replacement Caliper

PRO-ONE AFTERMARKET CALIPERS

4 Piston

Competitor X Ref

SBS 631	Vesrah VD344	Ferodo FDB574
-------------------	------------------------	-------------------------

Equivalents OE#

43082 0016	43082 1113	59100 32830	59130 32020	600079
43082 1097	43082 1120	59101 35810	59130 32C00	
43082 1102	43082 1142	59300 34830	59130 32C10	
43082 1110	43082 1288	59130 22D00	59130 32C20	
43082 1111	59100 22810	59130 32000	59130 38C00	

Dealer Stocking Recommendation

Single/Pair 2	Popularity # K7	Rec Stocking Level 6
-------------------------	---------------------------	--------------------------------

STD	FA158	Premium Organic Street Pad Blend
OPTIONS	FA158HH	Street Performance Sintered Pad Blend
	EPFA158HH	Fast Street Use & Track Day Sintered Pad Blend