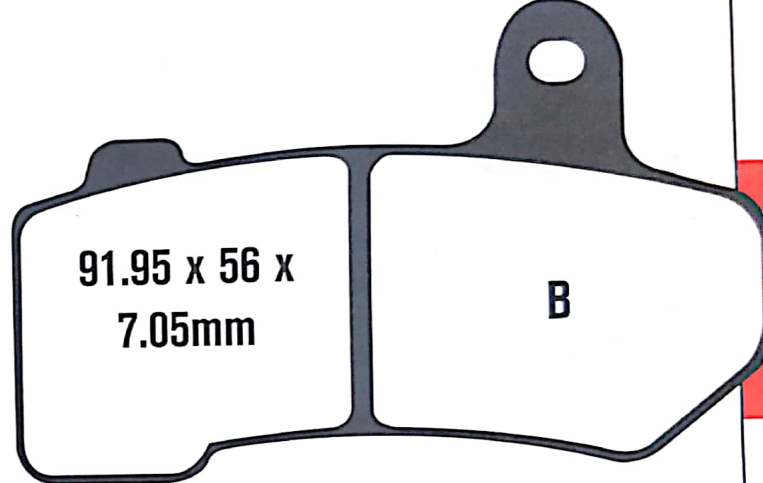
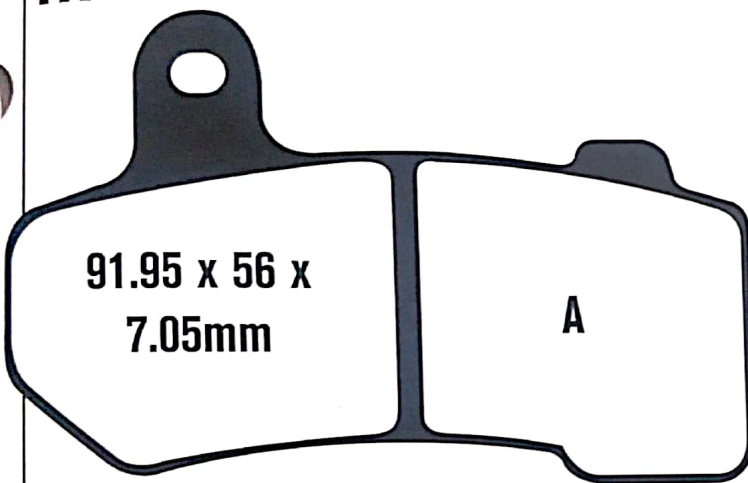


FA409



HARLEY DAVIDSON

VRSCR Street Rod	06-07	F & R
VRSCA V-Rod	06	F & R
VRSCD Night Rod	06-08	F & R
VRSCDX Night Rod Special	07-16	F & R
VRSCAW V-Rod	08-11	F & R
VRSCF V-Rod Muscle	09-16	F & R
VRSC Night Rod Special	12	F & R
VRSC 10th Anniversary V-Rod	12	F & R
FLHR Road King (Spoke Wheel Type)	08-16	F & R
FLHR Road King (Cast Wheel Type)	15-16	F & R
FLHRC Road King Classic	08-16	F & R
FLHX Street Glide	08-16	F & R
FLHXS Street Glide Special	15-16	F & R
FLTR Road Glide	08-09	F & R
FLTRX Road Glide Custom	10-12	F & R
FLTRX Road Glide	15-16	F & R
FLTRXS Road Glide Special	15-16	F & R
FLHT Electra Glide Standard	08-10	F & R
FLHTC Electra Glide Classic	08-12	F & R
FLHTCU Ultra Glide Classic Electra Glide	08-16	F & R

FLHTCUL Electra Glide Ultra Classic Low	15-16	F & R
FLHTK Electra Glide Ultra Ltd	10-13	F & R
FLHTK Ultra Ltd	15-16	F & R
FLHTKL Ultra Ltd Low	15-16	F & R
FLHTCUTG Tri Glide Ultra Classic (Trike)	09-13	F
FLTRU Road Glide Ultra	11-12/16	F & R
LYNDALL BRAKES		
PAD REF 7254		

Equivalents OE#

42850-06A	41854-08
42897-08	41852-08
42897-06A	42850 06B

Competitor X Ref

SBS	Vesrah	Ferodo
830	VD9025	-

STD	FA409	Premium Organic Street Pad Blend
OPTION	FA409HH	Street Performance Sintered Pad Blend
OPTION	FA409V	Semi Sintered Long Lasting Street Pad Blend
OPTION	FA409VLD	Chrome Backed Semi Sintered Long Lasting Street Pad
OPTION	EPFA409HH	Fast Street Use & Track Day Sintered Pad Blend

Dealer Stocking Recommendation

<u>Single/Pair</u>	<u>Popularity #</u>	<u>Rec Stocking Level</u>
2	-	2