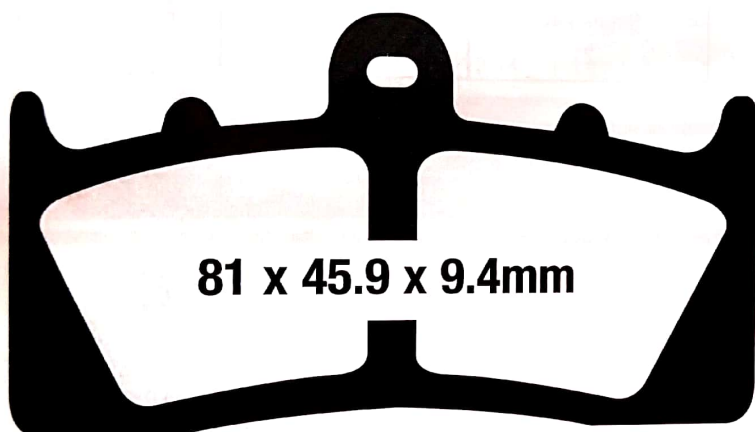


FA613



STD FA613HH Street Performance Sintered Pad Blend

Dealer Stocking Recommendation

BMW

K 1600 GT
K 1600 GTL
K 1600 GTL Exclusive

11-15 F
11-15 F
15 F

Equivalents OE#

34 11 7 728 945

<u>Single/Pair</u>	<u>Popularity #</u>	<u>Rec Stocking Level</u>
2	-	2

Part numbers, prefixes, suffixes, photos and illustrations shown in this catalog are trademarks and/or copyrights of EBC Brakes or the trademark owner Freeman Automotive (UK) Ltd and use without express written permission of the owners is punishable by law.